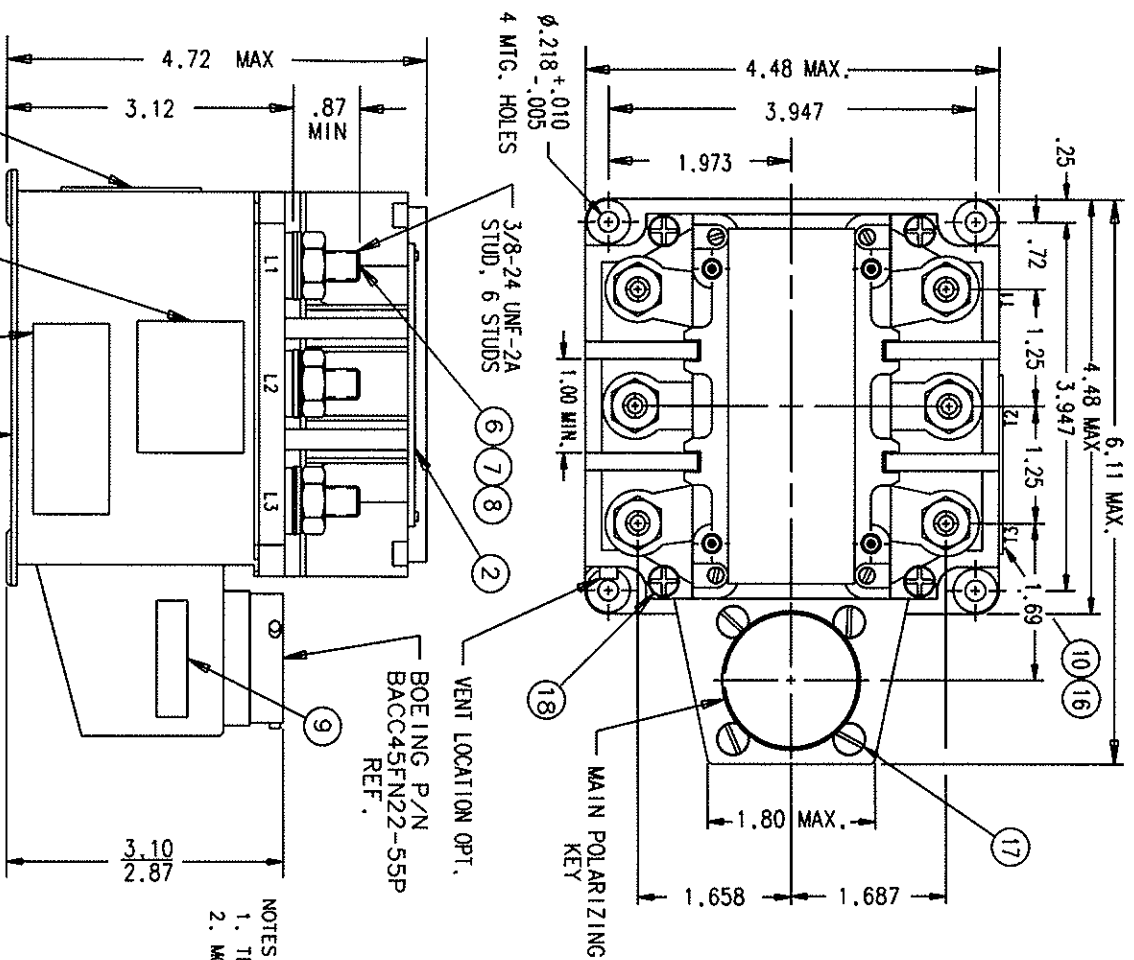


FAA-PMA

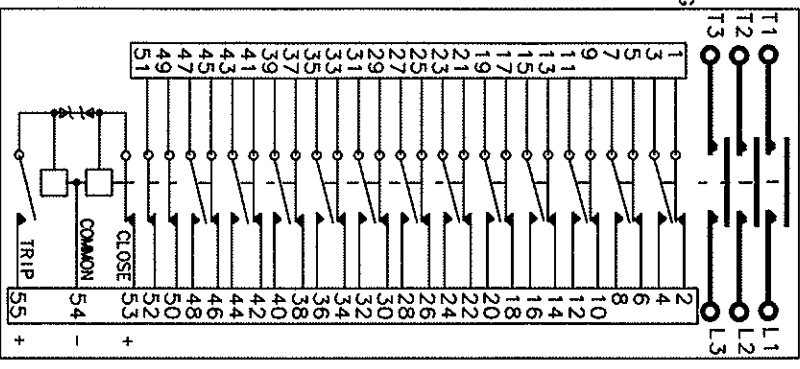


NOTES: (CONT)
 3. FAA/PMA PLATE (AND OVERLAY) NOT REQUIRED ON UNITS SUPPLIED TO ORIGINAL EQUIPMENT MANUFACTURERS.

NOTES:
 1. TERMINAL COVER, ITEM 2, REMOVED FROM TOP VIEW.
 2. MOUNTING SURFACE SHALL PROVIDE ELECTRICAL GROUND.

CONSTRUCTION
 MAIN CONTACTS
 CONFIGURATION
 VOLTAGE
 CURRENT
 RES.
 INTERRUPT
 RES.
 AUXILIARY CONTACTS
 CONFIGURATION
 VOLTAGE
 CURRENT
 RES.
 OIL DATA
 DUTY CYCLE
 OPERATING VOLTAGE
 CLOSE MIN.
 MAX.
 TRIP
 MAX.
 RESISTANCE
 TRIP
 MAX.
 CLOSING
 TRIP
 MAX.
 ENVIRONMENTAL DATA
 OPERATING TEMP.
 VIBRATION
 ACCELERATION
 SHOCK
 ALTITUDE
 OPERATING TIME
 CLOSE
 TRIP
 LIFE ELECTRICAL
 LIFE MECHANICAL
 WEIGHT MAX.

GASKET SEALED (VENTED)
 3 PST (DOUBLE BREAK) MAG. LATCHING
 115/200 VOLTS FREQ. 400 HZ
 275 AMP 115/200 VAC CONTINUOUS
 350 AMP 115/200 VAC 15 SEC
 5000 AMP
 12 SPST N.O., 14 SPST N.C.
 115 VAC 400 HZ 28 VDC
 7.5 AMP
 CONTINUOUS (SELF-DEENERGIZING)
 15 VOLTS AT 85°C
 29 VOLTS
 15 VOLTS
 29 VOLTS
 5 OHMS MIN.
 5 OHMS MIN.
 -54°C MIN., +71°C MAX.
 PER BOEING D6-13104, AREA 1, CAT. A
 MIL-E-5272 METHOD 4, 16.3
 MIL-E-5272 METHOD 4, 15.5
 45,000 FT.
 15 MSEC MAX. AT 22VDC TO 29VDC
 20 MSEC MAX. AT 15VDC TO 29VDC
 50,000 CYCLES MIN.
 100,000 CYCLES MIN.
 4 LBS.



FIND NO	QTY	PART OR IDENTIFYING NO	NONECLAUTURE OR DESCRIPTION	FSCAL NO	DRAWING OR SPECIFICATION	MATERIAL OR NOTE
18	AR	5A100-001	SILASTIC - BLACK			
17	AR	5A102-001	GLYPHOL			
16	1	39529-047	OVERLAY			
15	1	39529-009	OVERLAY			
14	1	39529-008	OVERLAY			
13	1	39529-007	OVERLAY			
12	1					
11						
10						
9						
8						
7						
6						
5						
4						
3						
2						
1						

FIND NO	QTY	PART OR IDENTIFYING NO	NONECLAUTURE OR DESCRIPTION	FSCAL NO	DRAWING OR SPECIFICATION	MATERIAL OR NOTE
10	1	58400-031	PLATE-FAA/PMA			
9	1	25695-001	WARNING-PLATE			
8	6	51807-230	WASHER-LOCK, .375 X .687C, .094 SPT			MS35338-141 STAINLESS STEEL
7	6	51704-010	WASHER, .390 X .625 X .032 FL.			AN960C616L STAINLESS STEEL
6	6	50407-370	NUI, 3/8-24 X, .562 X, .328			MS51972-3 STAINLESS STEEL
5	1	36805-010	CONTRACTOR ASSEMBLY-PRI			
4	1	36755-001	PLATE-WIRING DIAGRAM			
3	1	36754-001	PLATE-NAME			
2	2	36456-010	TERMINAL COVER			
1	1	36749-001	PLATE CAUTION			

UNLESS OTHERWISE SPECIFIED DIMENSIONS ARE IN INCHES
 2 PL DEC .15 PL DEC .1 ANGLE .5
 : .06 : .010 : .1*

REF BOEING
 60B000010-25

HARTMAN ELECTRICAL MANUFACTURING
 MANSFIELD, OHIO

CONTACTOR-3PST MAGN. LATCH
 275 AMP, 115/200V, 400 HZ

SIZE CODE IDENT DWG NO.
 C 74063 B-430Z

SCALE NONE SHEET

REV	DESCRIPTION	DATE	APPROVED
3	NOTE 3 ADDED	98/05/04	RS
2	BOEING* ADDED TO VIB SPEC & CONNECTOR P/N, .43 & .92 ADDED, 4.72 MAX WAS 4.87, 4.48 MAX WAS 4.45	99/05/11	RS
1		00/02/18	RS